

# EXTENDED REACH 3-AXIS LP2

## PAINT / WASH

Extended reach lifts are similar in design to the standard LP2 lift, but are designed for booths or bays that are wider than normal, to accommodate large products or multiple products at the same time. Extended reach design allows the front of the platform to reach up to 14' out from the booth wall.



Option Package Available  
for use in **High Solids Paint  
Applications**

### GENERAL INFO

- Raised platform height: Up to 21'
- Retracted dimension: 3'-8"
- Extended dimension: 14'
- Operator platform capacity: 400 lbs.
- Pneumatic/mechanical power unit
- Includes in-line Filter/Regulator/Lubricator
- Standard platform: 48" wide x 21" deep
- Self-closing/self-latching entry gates
- 1-Axis & 2-Axis models available

### CONTROLS / CONNECTIONS

- Operator controls on front rail of platform
- Hand controls for Y-Axis, Z-Axis, & E-stop
- Foot control for X-Axis
- Base control to raise and lower platform
- Auxiliary uncoiled air connection in platform
- Lift requires a clean, dry air supply  
(80 scfm @ 100 psi with a 40°F dew point)

### TRAVEL SPEEDS

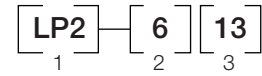
- X-Axis (left/right): Variable up to 40 fpm
- Y-Axis (in/out): 15 fpm
- Z-Axis (up/down): 15 fpm

Due to continuous product improvement, LPI, Inc. reserves the right to make equipment/specification changes without prior notification.

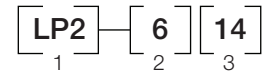


# 3-AXIS LP2 EXTENDED REACH

Model Numbering



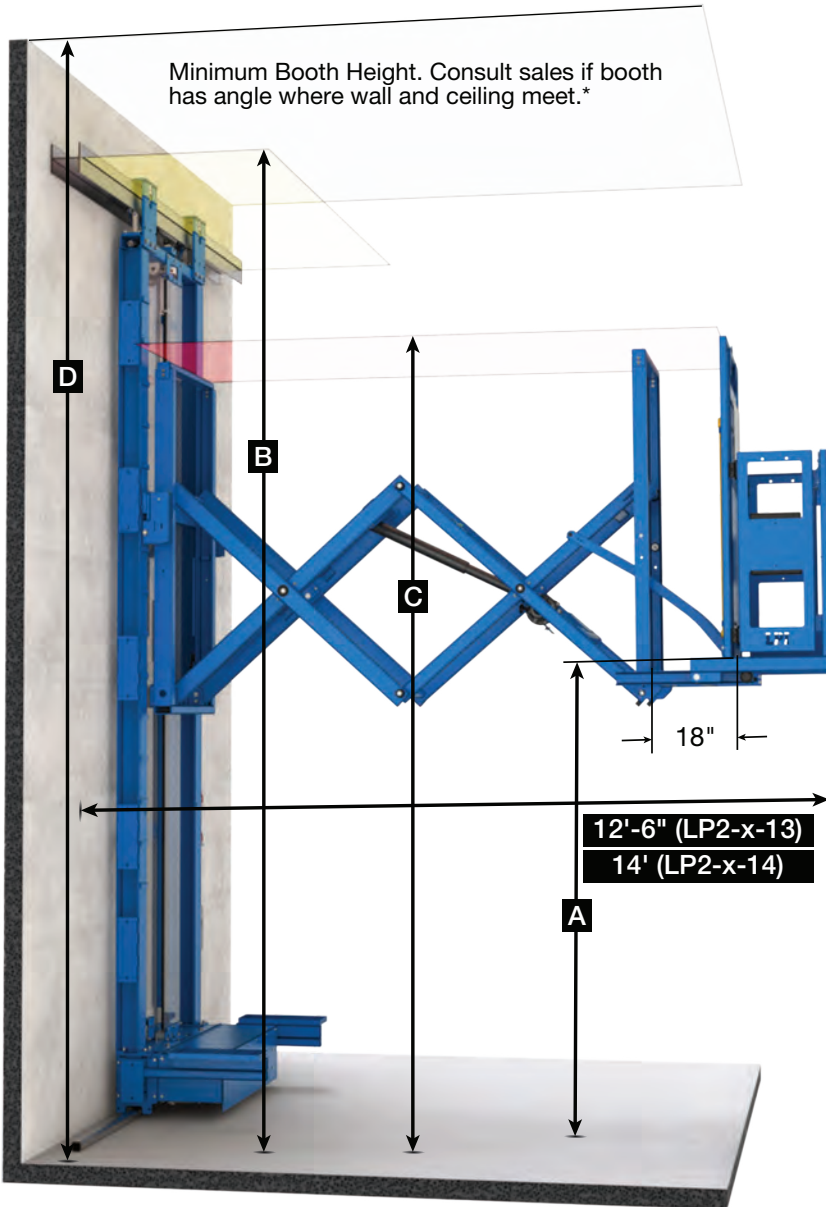
OR



- 1. Lift Series
- 2. Raised Platform Height: 6' to 21'
- 3. Fully Extended: 12'-6" or 14' with 18" roll-out

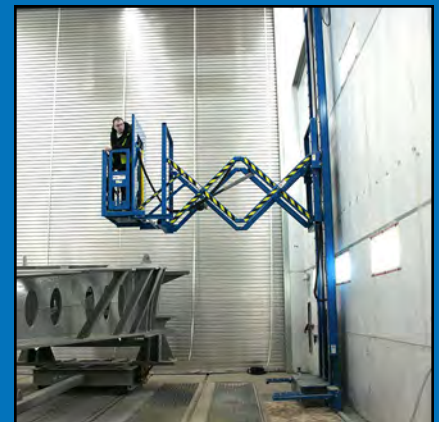
Model LP2 (Extended Reach)				
Model	A	B	C	D
LP2-614	6'	10'-3"	11'-6"	12'
LP2-714	7'	11'-3"	12'-6"	13'
LP2-814	8'	12'-3"	13'-6"	14'
LP2-914	9'	13'-3"	14'-6"	15'
LP2-1014	10'	14'-3"	15'-6"	16'
LP2-1114	11'	15'-3"	16'-6"	17'
LP2-1214	12'	16'-3"	17'-6"	18'
LP2-1314	13'	17'-3"	18'-6"	19'
LP2-1414	14'	18'-3"	19'-6"	20'
LP2-1514	15'	19'-3"	20'-6"	21'
LP2-1614**	16'	20'-3"	21'-6"	22'
LP2-1714**	17'	21'-3"	22'-6"	23'
LP2-1814**	18'	22'-3"	23'-6"	24'
LP2-1914**	19'	23'-3"	24'-6"	25'
LP2-2014**	20'	24'-3"	25'-6"	26'
LP2-2114**	21'	25'-3"	26'-6"	27'

\*\*Lifts 16' and over have an 80" wide base



- A: Raised Platform Height
- B: Centerline of Upper Rail
- C: Overall Max. Lift Height
- D: Min. Booth Height\*

Dimensions shown are nominal. Actual dimensions may vary and are presented with engineering drawings.



# LP2 STANDARD OPTIONS

STANDARD & EXTENDED REACH MODELS



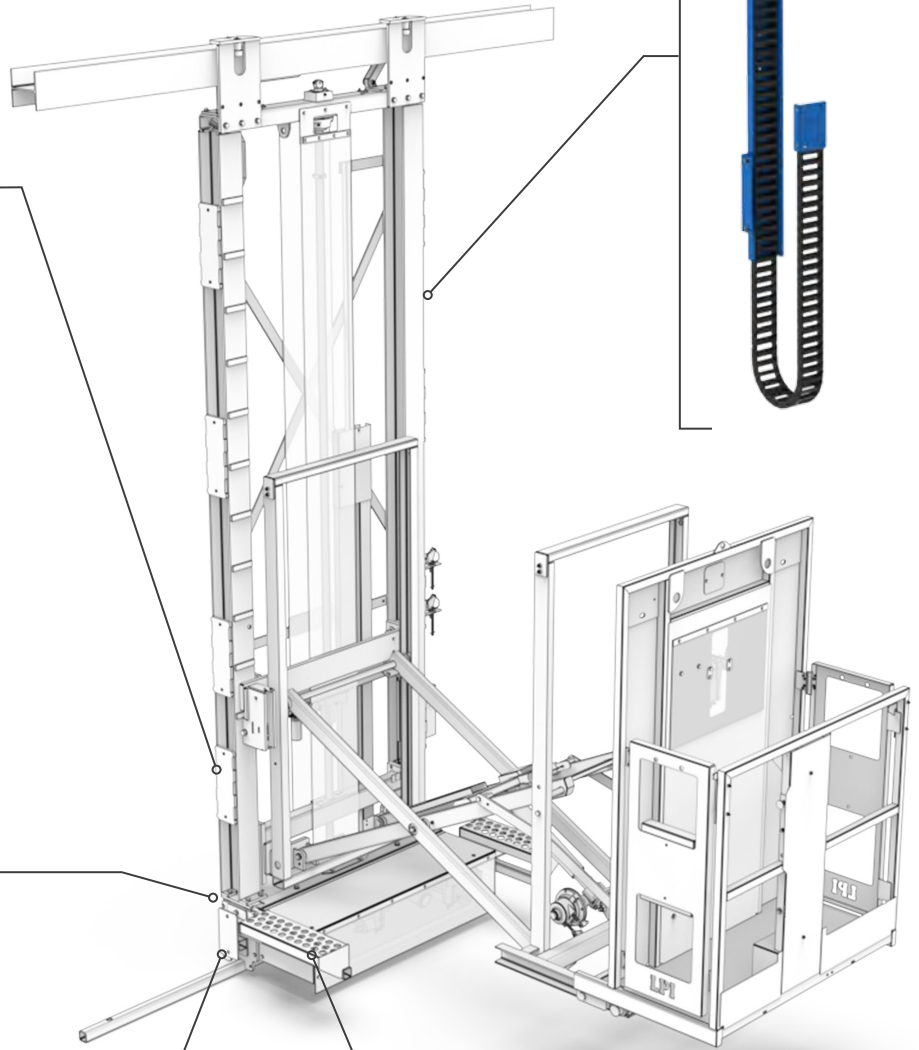
Side Draft  
Rear Mast Cover



Flex  
Track



Paint Pot Carrier  
Single or Double



Rail  
Scraper



Double Step

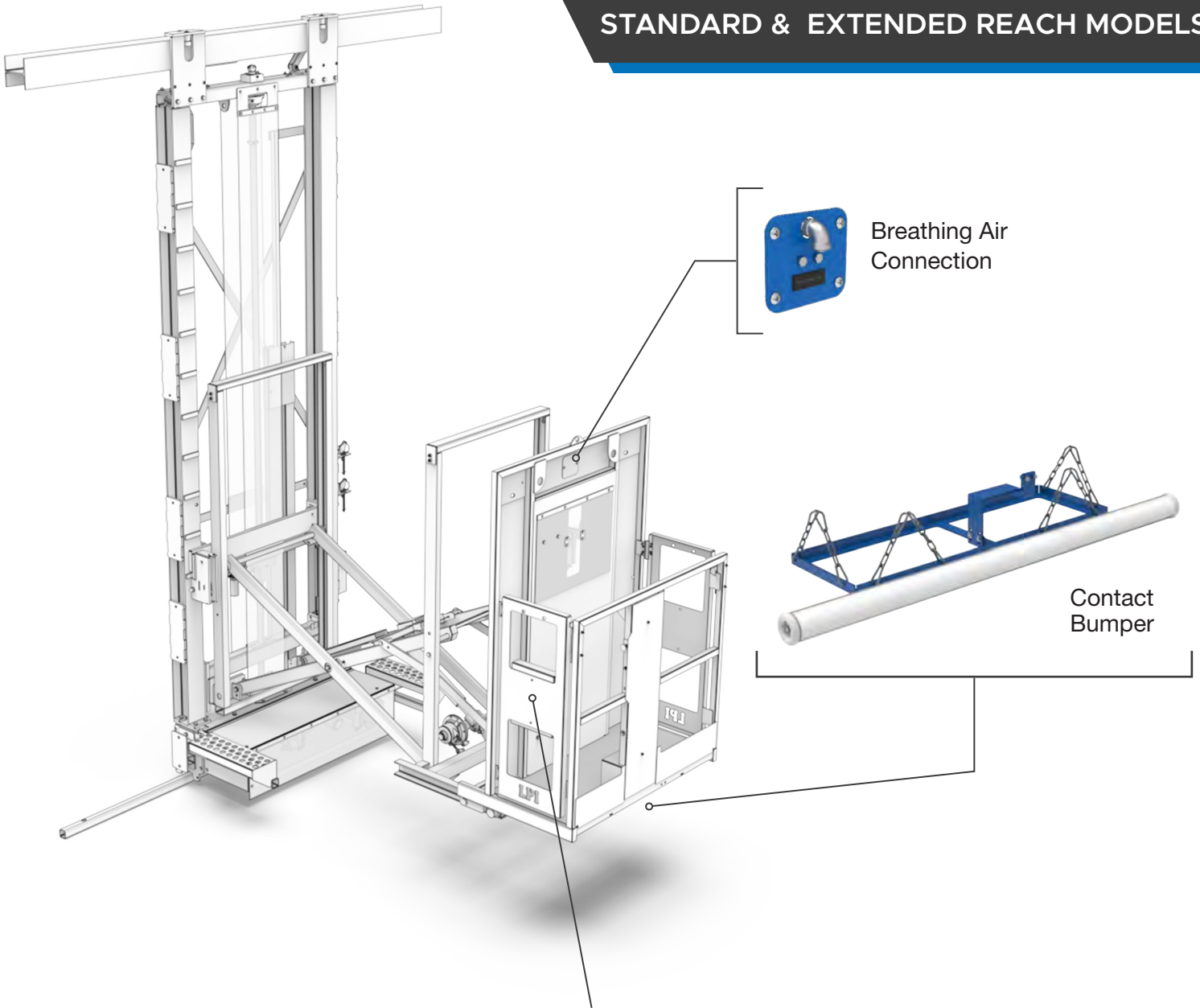
Additional options available.

Consult with LPI sales  
about all options available  
or custom solutions to fit  
your application.



# LP2 STANDARD OPTIONS

STANDARD & EXTENDED REACH MODELS



Platform Depth Sizes:  
21" / 24" / 27" / 30" / Custom



Front Gate



Tip-Out Front Rail