



Personnel Lifts for Paint & Blast Applications



www.lpi-inc.com

TABLE OF CONTENTS

| | <u>Pg.</u> |
|---|------------|
| Application Guide | 1 |
| Principles of Operation | 2 |
| Paint Lifts vs. Blast Lifts (Differences) | 3 |
| 3-Axis Standard Lift (Model LP2) | 4,5 |
| 3-Axis Extended Reach Lift (Model LP2) | 6,7 |
| Standard Options (LP2 Models) | 8,9 |
| 3-Axis Standard Blast Lift (Model BL) | 10,11 |
| 3-Axis Extended Reach Blast Lift (Model BL) | 12,13 |
| 3-Axis Enclosed Blast Lift (Model EBL) | 14,15 |

ADDITIONAL PRODUCTS & SERVICES

| | |
|---------------------------------------|----|
| Scissor Lifts & Work Platforms | 16 |
| Custom Lift Solutions | 16 |
| Warranty, Service & Maintenance | 17 |

ABOUT LPI, INC

LPI, Inc. is a standard and custom equipment manufacturer providing engineering services and manufacturing expertise in the design and construction of work platforms, fall protection, and personnel lifting equipment for a wide range of industrial applications and facility maintenance. LPI has been in business for over 40 years providing manufacturing and assembly support for customers in a variety of industries and custom applications.

LPI products help promote a safe and ergonomic work environment which helps increase worker productivity and reduce work-related accidents and injuries.

LPI equipment meets applicable OSHA/ANSI standards, and is designed, manufactured and assembled in the USA!

To watch videos of lift solutions LPI has designed & manufactured, visit our Youtube channel at: <https://www.youtube.com/user/LPIncLiftSystems>



Challenge us with your application!
www.lpi-inc.com

VERTICAL MAST SYSTEMS

Vertical mast lift systems are lifts where the vertical travel happens within a column (mast) either attached to a structure, or freestanding. Ideal for large work areas where 3-dimensional (axis) movement and positioning enhances the process.

Common Applications

- Painting
- Powder Coating
- Surface Prep
- Blasting Booths / Rooms
- Wash Rooms
- Material Handling
- Maintenance Areas
- Assembly Areas
- Welding

LPI Lift Systems are designed for any application where operator safety and fall prevention is essential!



MAJOR INDUSTRIES

Many industries have manufacturing and production processes that utilize personnel lifts. LPI Lift Systems serves all of them and continues to provide enhanced personnel safety to new industries worldwide.

- Aircraft & Aerospace
- Construction Equipment
- Agricultural Equipment
- Rail Car & Locomotive Manufacturing
- Trucks & Recreational Vehicles
- Light Rail & Bus Manufacturing
- Military Equipment
- Transit Authorities
- Modular Home Construction
- Electrical Power & Distribution



PRINCIPLES OF OPERATION

(MOVEMENT BASICS)

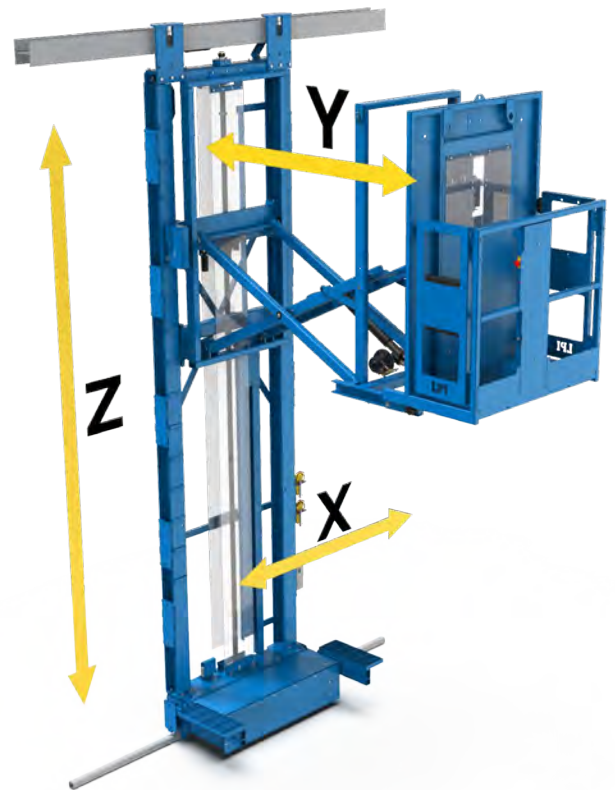
Standard axis lifts are designed to move in 3-Axis travel (X, Y, Z).

The three axes of movement are:

X-Axis Horizontal movement of the entire lift, lengthwise in a booth or along a structure.

Y-Axis Horizontal movement of the operator platform in and out from the back of the lift.

Z-Axis Vertical travel of the operator platform up and down on the lift mast.



- Lift travels on a guide rail system with a lower rail anchored to the floor and an upper rail mounted to the wall of the booth or other structure.
- Lift is controlled by the operator from a control console located in the front of the platform. This allows the worker to face forward and observe the area as they move the lift.
- Properly maintained, LPI Lift Systems will provide many years of trouble free operation while increasing the safety and productivity of your workers.

VERTICAL MAST SYSTEMS

- Applications include wash, prep and paint, to metal blasting, welding and fabrication. Great for any area where ergonomic positioning and fall protection are needed.
- Combinations of pneumatic, hydraulic, mechanical or electric drives to fit your application.
- Standard lift models with working heights ranging from 6' to 29'.
- Lifts are fully assembled and tested prior to shipping making them ready for operation when installed.
- Operator platforms can be configured with options to fit your process needs.
- Units are designed for high productivity environments and integration into manufacturing processes.
- Lifts are designed to provide a safer working solution for working at heights which increases productivity and worker satisfaction.
- Custom or modified lift systems can be designed and fabricated for areas where standard models may not be the solution.

PAINT LIFTS vs BLAST LIFTS

(COMMON FEATURES / DIFFERENCES)

COMMON FEATURES

- Railings on operator platform include self-closing, self-latching entry/exit gates
- Forward facing operator controls allow operator full view of work area when repositioning
- Auxiliary, unooled air supply connection in operator platform
- Platform entry steps mounted on base of lift
- Platforms and movement can be customized to specifically fit your application
- 3-Axis (X,Y,Z) movement for precise positioning of platform
- Safety harness restraint points in operator platform

DIFFERENCES

PAINT LIFTS

Paint booth applications

Multiple operator platform options to satisfy application process needs

Spring applied, air released vertical movement (Z-axis) brake

Open mast design with overspray covers

Vertical (Z-axis) drive is air motor/mechanical powered

Standard 21"x48" platform with multiple options available

Filters, regulators & lubricators in base of lift

Solid safety plate flooring in operator platform

Options for Wash and Welding applications



BLAST LIFTS

Blast, Grit and Powder applications

Inertial chain brake on vertical (Z-axis) drive systems

Vertical (Z-axis) drive is air/hydraulic powered with lifting cables

Sealed mast system with removable covers

Can be designed for vertical heights in excess of 40'

Standard 30"x48" platform

Open grating flooring in operator platform

Heavier gauge steel to withstand abrasive and harsh environments

Filters, regulators & lubricators enclosed in cabinet on side of lift



STANDARD 3-AXIS LP2

PAINT / WASH

Designed to enhance the productivity and ergonomics for operators. The pneumatically powered lifts are an ideal accessory in hazardous environments and many other manufacturing process or production areas.



Option Package Available
for use in **High Solids Paint
Applications**

GENERAL INFO

- Raised platform height: Up to 22'
- Retracted dimension: 3' (minimum)
- Extended dimension: 8' or 10' (per model)
- Operator platform capacity: 500 lbs.
- Pneumatic/mechanical power unit
- Includes in-line Filter/Regulator/Lubricator
- Standard platform: 48" wide x 21" deep
- Self-closing/self-latching entry gates
- 1-Axis & 2-Axis models available

CONTROLS / CONNECTIONS

- Operator controls on front rail of platform
- Hand controls for Y-Axis, Z-Axis, & E-stop
- Foot control for X-Axis
- Base control to raise and lower platform
- Auxiliary uncoiled air connection in platform
- Lift requires a clean, dry air supply
(80 scfm @ 100 psi with a 40°F dew point)

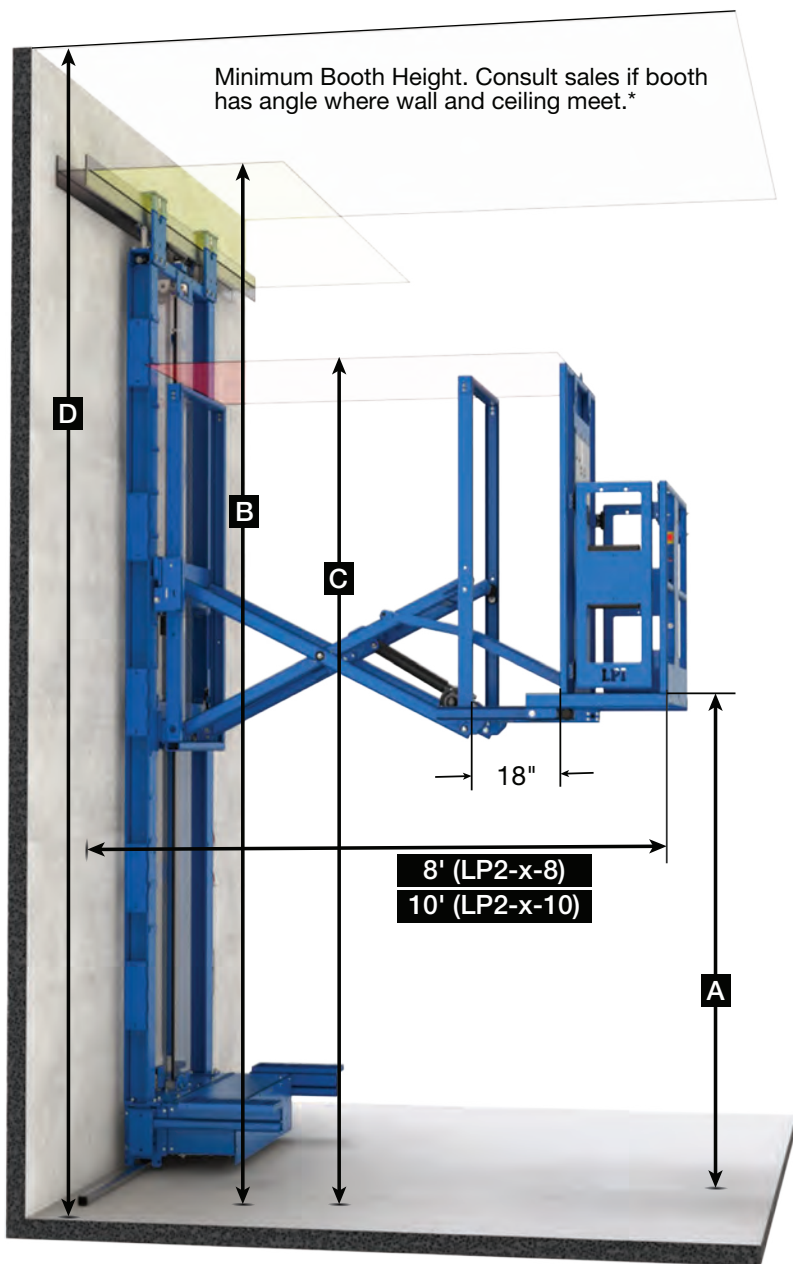
TRAVEL SPEEDS

- X-Axis (left/right): Variable up to 40 fpm
- Y-Axis (in/out): 15 fpm
- Z-Axis (up/down): 15 fpm

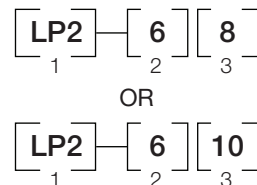
Due to continuous product improvement, LPI, Inc. reserves the right to make equipment/specification changes without prior notification.



3-AXIS LP2



Model Numbering



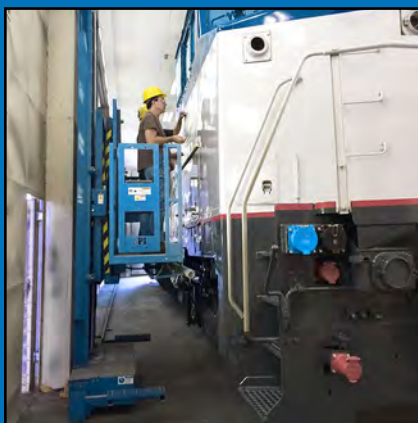
1. Lift Series
2. Raised Platform Height: 6' to 22'
3. Fully Extended: 8' or 10' with 18" roll-out

Model LP2 (Standard Reach)

| Model | A | B | C | D |
|----------|-----|--------|--------|-----|
| LP2-610 | 6' | 9'-3" | 11'-6" | 12' |
| LP2-710 | 7' | 10'-3" | 12'-6" | 13' |
| LP2-810 | 8' | 11'-3" | 13'-6" | 14' |
| LP2-910 | 9' | 12'-3" | 14'-6" | 15' |
| LP2-1010 | 10' | 13'-3" | 15'-6" | 16' |
| LP2-1110 | 11' | 14'-3" | 16'-6" | 17' |
| LP2-1210 | 12' | 15'-3" | 17'-6" | 18' |
| LP2-1310 | 13' | 16'-3" | 18'-6" | 19' |
| LP2-1410 | 14' | 17'-3" | 19'-6" | 20' |
| LP2-1510 | 15' | 18'-3" | 20'-6" | 21' |
| LP2-1610 | 16' | 19'-3" | 21'-6" | 22' |
| LP2-1710 | 17' | 20'-3" | 22'-6" | 23' |
| LP2-1810 | 18' | 21'-3" | 23'-6" | 24' |
| LP2-1910 | 19' | 22'-3" | 24'-6" | 25' |
| LP2-2010 | 20' | 23'-3" | 25'-6" | 26' |
| LP2-2110 | 21' | 24'-3" | 26'-6" | 27' |
| LP2-2210 | 22' | 25'-3" | 27'-6" | 28' |

- A: Raised Platform Height
- B: Centerline of Upper Rail
- C: Overall Max. Lift Height
- D: Min. Booth Height*

Dimensions shown are nominal. Actual dimensions may vary and are presented with engineering drawings.



EXTENDED REACH 3-AXIS LP2

PAINT / WASH

Extended reach lifts are similar in design to the standard LP2 lift, but are designed for booths or bays that are wider than normal, to accommodate large products or multiple products at the same time. Extended reach design allows the front of the platform to reach up to 14' out from the booth wall.



Option Package Available
for use in **High Solids Paint
Applications**

GENERAL INFO

- Raised platform height: Up to 21'
- Retracted dimension: 3'-8"
- Extended dimension: 14'
- Operator platform capacity: 400 lbs.
- Pneumatic/mechanical power unit
- Includes in-line Filter/Regulator/Lubricator
- Standard platform: 48" wide x 21" deep
- Self-closing/self-latching entry gates
- 1-Axis & 2-Axis models available

CONTROLS / CONNECTIONS

- Operator controls on front rail of platform
- Hand controls for Y-Axis, Z-Axis, & E-stop
- Foot control for X-Axis
- Base control to raise and lower platform
- Auxiliary unooled air connection in platform
- Lift requires a clean, dry air supply
(80 scfm @ 100 psi with a 40°F dew point)

TRAVEL SPEEDS

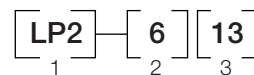
- X-Axis (left/right): Variable up to 40 fpm
- Y-Axis (in/out): 15 fpm
- Z-Axis (up/down): 15 fpm

Due to continuous product improvement, LPI, Inc. reserves the right to make equipment/specification changes without prior notification.

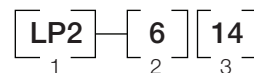


3-AXIS LP2 EXTENDED REACH

Model Numbering



OR

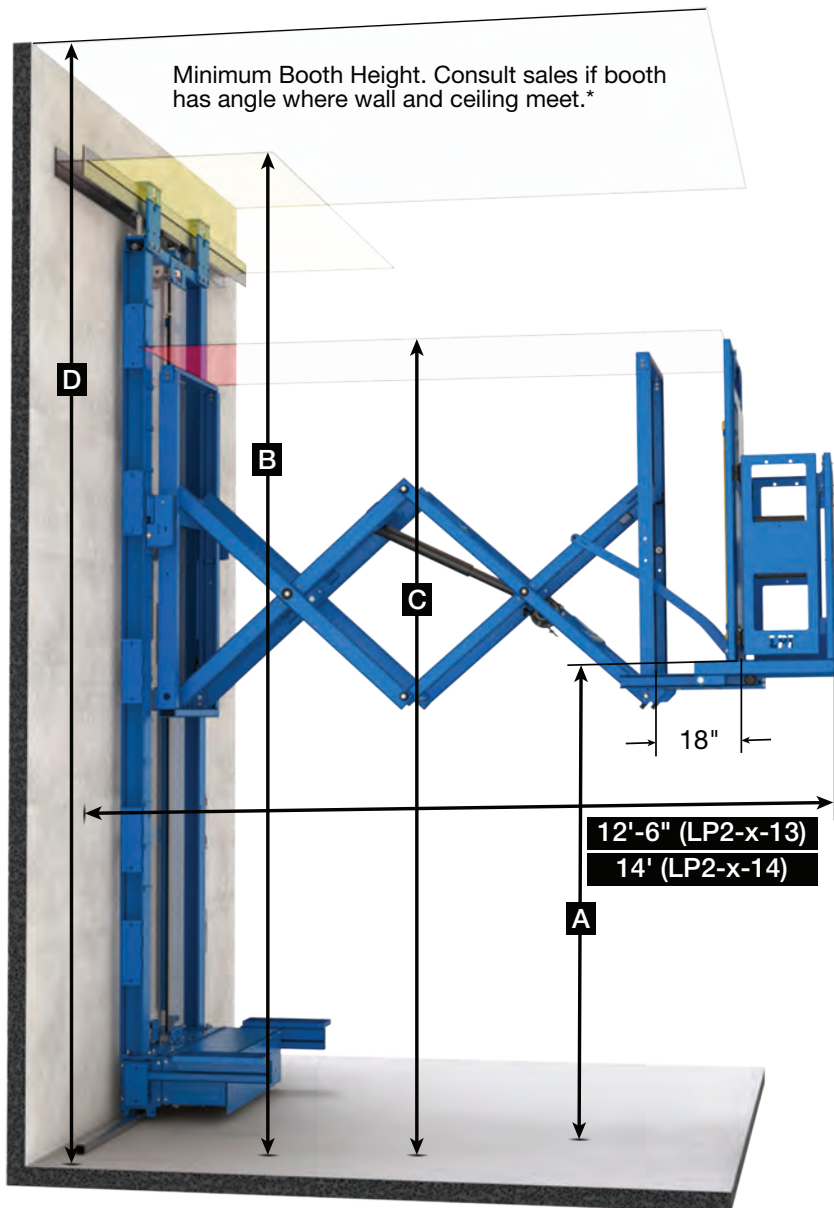


- 1. Lift Series
- 2. Raised Platform Height: 6' to 21'
- 3. Fully Extended: 12'-6" or 14' with 18" roll-out

Model LP2 (Extended Reach)

| Model | A | B | C | D |
|------------|-----|--------|--------|-----|
| LP2-614 | 6' | 10'-3" | 11'-6" | 12' |
| LP2-714 | 7' | 11'-3" | 12'-6" | 13' |
| LP2-814 | 8' | 12'-3" | 13'-6" | 14' |
| LP2-914 | 9' | 13'-3" | 14'-6" | 15' |
| LP2-1014 | 10' | 14'-3" | 15'-6" | 16' |
| LP2-1114 | 11' | 15'-3" | 16'-6" | 17' |
| LP2-1214 | 12' | 16'-3" | 17'-6" | 18' |
| LP2-1314 | 13' | 17'-3" | 18'-6" | 19' |
| LP2-1414 | 14' | 18'-3" | 19'-6" | 20' |
| LP2-1514 | 15' | 19'-3" | 20'-6" | 21' |
| LP2-1614** | 16' | 20'-3" | 21'-6" | 22' |
| LP2-1714** | 17' | 21'-3" | 22'-6" | 23' |
| LP2-1814** | 18' | 22'-3" | 23'-6" | 24' |
| LP2-1914** | 19' | 23'-3" | 24'-6" | 25' |
| LP2-2014** | 20' | 24'-3" | 25'-6" | 26' |
| LP2-2114** | 21' | 25'-3" | 26'-6" | 27' |

**Lifts 16' and over have an 80" wide base



- A: Raised Platform Height
- B: Centerline of Upper Rail
- C: Overall Max. Lift Height
- D: Min. Booth Height*

Dimensions shown are nominal. Actual dimensions may vary and are presented with engineering drawings.



LP2 STANDARD OPTIONS

STANDARD & EXTENDED REACH MODELS



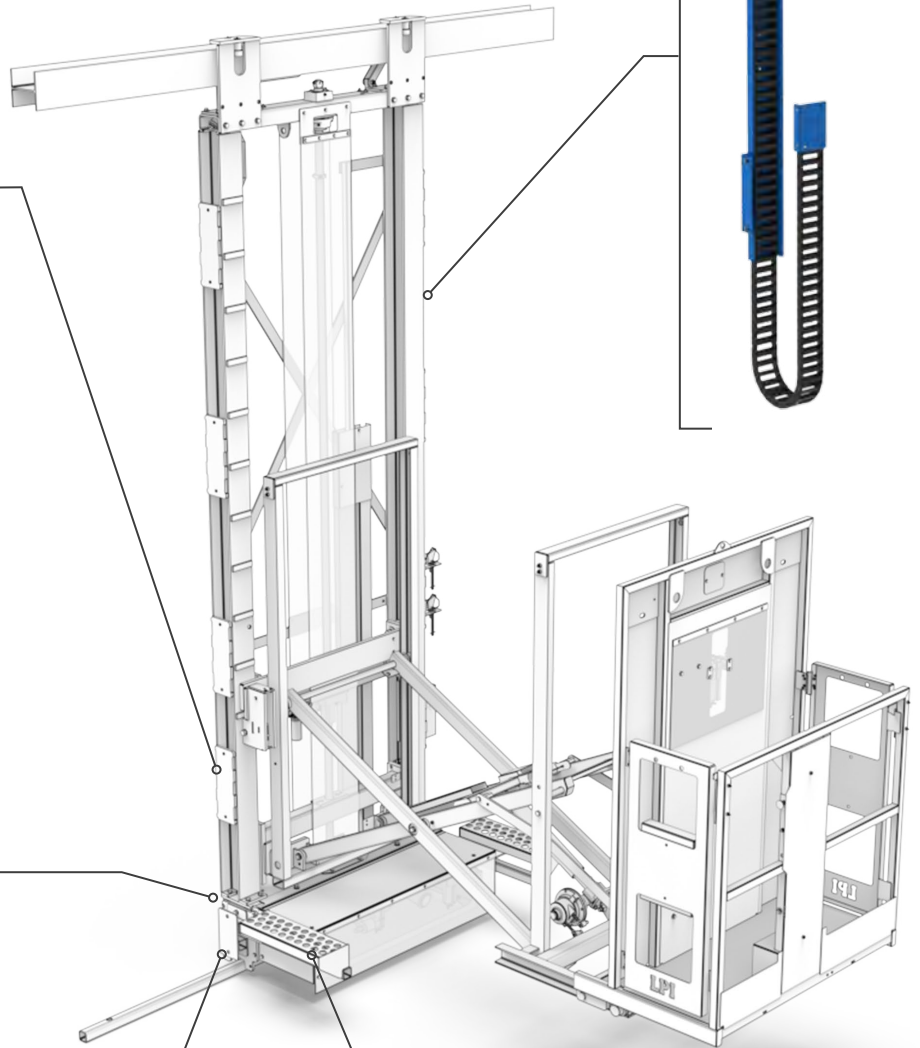
Side Draft
Rear Mast Cover



Flex
Track



Paint Pot Carrier
Single or Double



Rail
Scraper



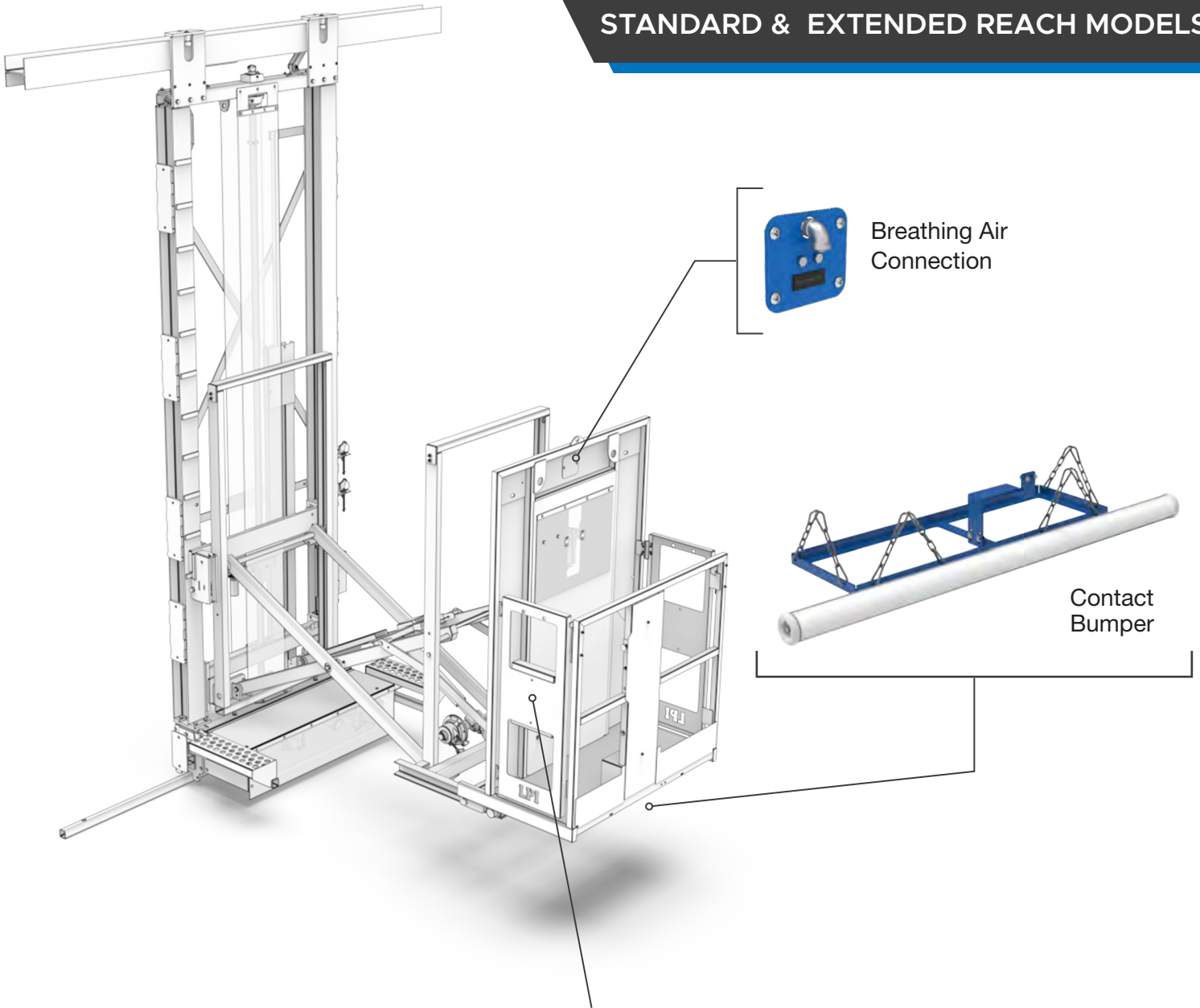
Double Step

Additional options available.

Consult with LPI sales
about all options available
or custom solutions to fit
your application.

LP2 STANDARD OPTIONS

STANDARD & EXTENDED REACH MODELS



Platform Depth Sizes:
21" / 24" / 27" / 30" / Custom



Front Gate



Tip-Out Front Rail

STANDARD 3-AXIS BL

BLAST / POWDER

Designed to withstand the harsh environment of grit, sand, and shot blast booths. Featuring sealed components and lift mast along with heavy gauge material, the lifts can replace ladders providing increased safety and productivity. This design is also used for extended height applications where platform heights can be in excess of 40'.



Option Package Available
for use in **Powder Coating
Applications**

GENERAL INFO

- Raised platform height: 6' to 29' (standard)
- Retracted dimension: 4' (minimum)
- Extended dimension: 9'
- Operator platform capacity: 500 lbs.
- Sealed mast construction
- Pneumatic/hydraulic power unit
- Includes in-line Filter/Regulator/Lubricator
- Standard platform: 48" wide x 30" deep
- Self-closing/self-latching entry gates
- 1-Axis & 2-Axis models available
- Blast hose hook to attach hose to platform

CONTROLS / CONNECTIONS

- Operator controls on front rail of platform
- Hand controls for Y-Axis, Z-Axis, & E-stop
- Foot control for X-Axis
- Base control to raise and lower platform
- Auxiliary uncoiled air connection in platform
- Lift requires a clean, dry air supply
(80 scfm @ 100 psi with a 40°F dew point)

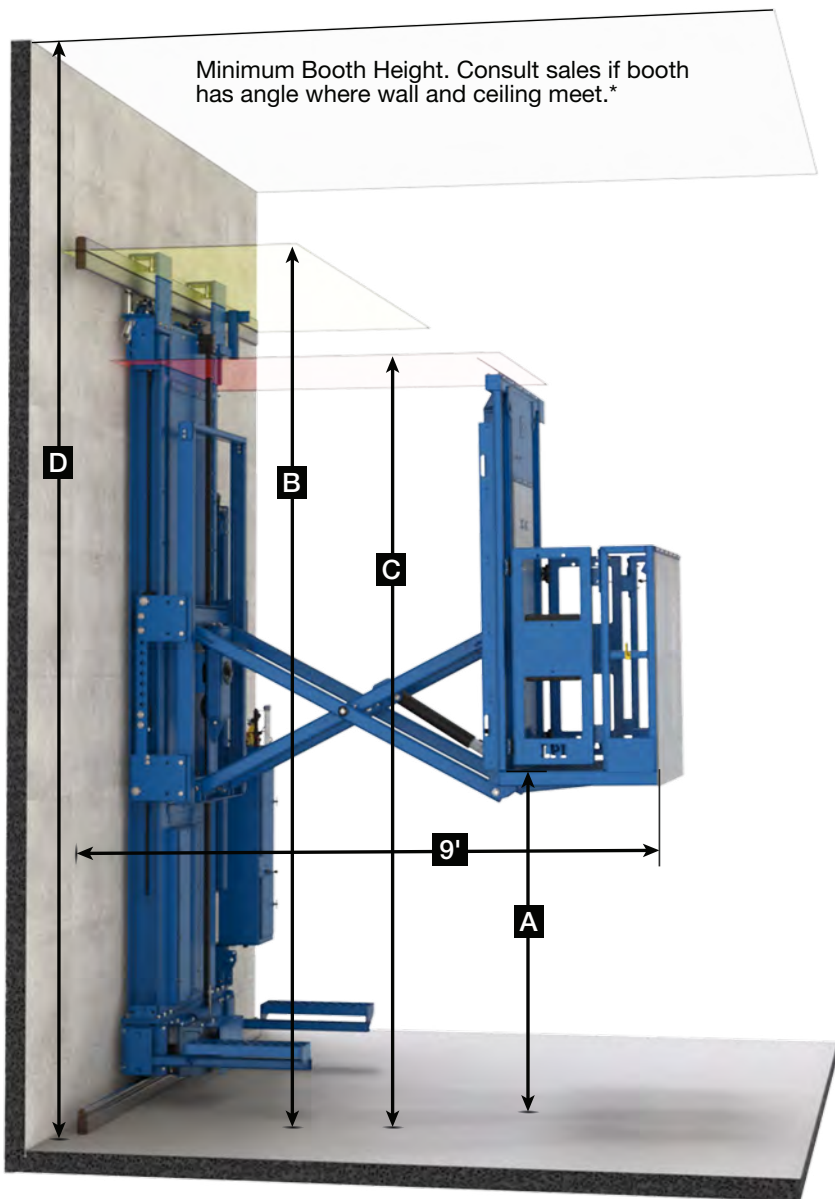
TRAVEL SPEEDS

- X-Axis (left/right): Variable up to 40 fpm
- Y-Axis (in/out): 15 fpm
- Z-Axis (up/down): 15 fpm

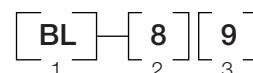
Due to continuous product improvement, LPI, Inc. reserves the right to make equipment/specification changes without prior notification.



3-AXIS BL



Model Numbering



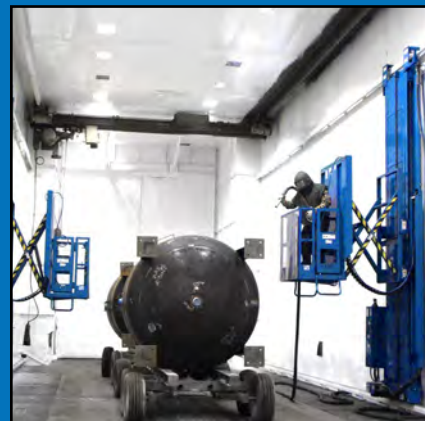
1. Lift Series
2. Standard Raised Platform Height: 6' to 29'
(Models up to 40' are available)
3. Fully Extended: 9'

- A: Raised Platform Height
- B: Centerline of Upper Rail
- C: Overall Max. Lift Height
- D: Min. Booth Height*

| Model BL (Standard Reach) | | | | |
|---------------------------|-----|---------|--------|-----|
| Model | A | B | C | D |
| BL-89 | 8' | 12'-11" | 14'-6" | 15' |
| BL-99 | 9' | 13'-11" | 15'-6" | 16' |
| BL-109 | 10' | 14'-11" | 16'-6" | 17' |
| BL-119 | 11' | 15'-11" | 17'-6" | 18' |
| BL-129 | 12' | 16'-11" | 18'-6" | 19' |
| BL-139 | 13' | 17'-11" | 19'-6" | 20' |
| BL-149 | 14' | 18'-11" | 20'-6" | 21' |
| BL-159 | 15' | 19'-11" | 21'-6" | 22' |
| BL-169** | 16' | 20'-11" | 22'-6" | 23' |
| BL-179** | 17' | 21'-11" | 23'-6" | 24' |
| BL-189** | 18' | 22'-11" | 24'-6" | 25' |
| BL-199** | 19' | 23'-11" | 25'-6" | 26' |
| BL-209** | 20' | 24'-11" | 26'-6" | 27' |

**Lifts 16' and over have a 80" wide base

Dimensions shown are nominal. Actual dimensions may vary and are presented with engineering drawings.



EXTENDED REACH 3-AXIS BL

BLAST / POWDER

Designed to withstand the harsh environment of grit, sand, and shot blast booths. Featuring sealed components and lift mast along with heavy duty components, the lifts can replace ladders providing increased safety and productivity. This design can also be used for extended height applications.



GENERAL INFO

- Raised platform height: 6' to 29' (standard)
- Retracted dimension: 4'-6" (minimum)
- Extended dimension: 13'-4"
- Operator platform capacity: 400 lbs.
- Sealed mast construction
- Pneumatic/hydraulic power unit
- Includes in-line Filter/Regulator/Lubricator
- Standard platform: 48" wide x 30" deep
- Self-closing/self-latching entry gates
- 1-Axis & 2-Axis models available
- Blast hose hook to attach hose to platform

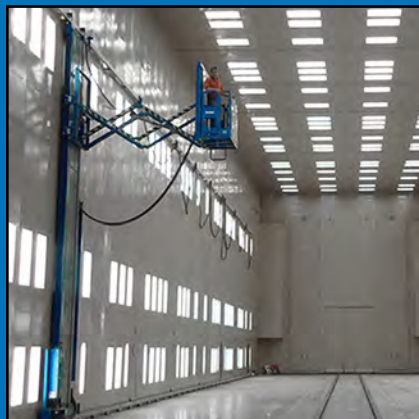
CONTROLS / CONNECTIONS

- Operator controls on front rail of platform
- Hand controls for Y-Axis, Z-Axis, & E-stop
- Foot control for X-Axis
- Base control to raise and lower platform
- Auxiliary uncoiled air connection in platform
- Lift requires a clean, dry air supply
(80 scfm @ 100 psi with a 40°F dew point)

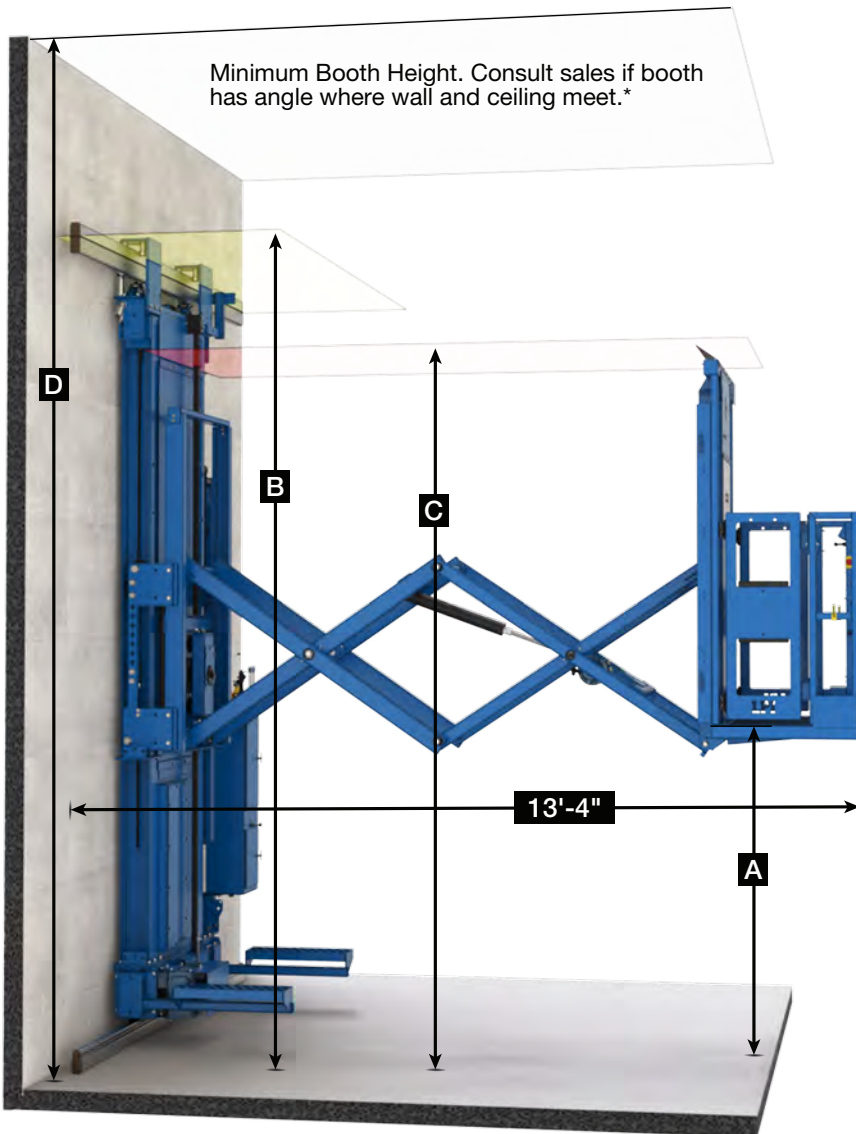
TRAVEL SPEEDS

- X-Axis (left/right): Variable up to 40 fpm
- Y-Axis (in/out): 15 fpm
- Z-Axis (up/down): 15 fpm

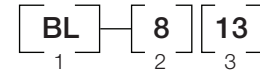
Due to continuous product improvement, LPI, Inc. reserves the right to make equipment/specification changes without prior notification.



3-AXIS BL EXTENDED REACH



Model Numbering



1. Lift Series
2. Standard Raised Platform Height: 6' to 29'
(Models up to 40' are available)
3. Fully Extended: 13'-4"

- A: Raised Platform Height
- B: Centerline of Upper Rail
- C: Overall Max. Lift Height
- D: Min. Booth Height*

| Model BL (Extended Reach) | | | | |
|---------------------------|-----|---------|--------|-----|
| Model | A | B | C | D |
| BL-813 | 8' | 12'-11" | 14'-6" | 15' |
| BL-913 | 9' | 13'-11" | 15'-6" | 16' |
| BL-1013 | 10' | 14'-11" | 16'-6" | 17' |
| BL-1113 | 11' | 15'-11" | 17'-6" | 18' |
| BL-1213 | 12' | 16'-11" | 18'-6" | 19' |
| BL-1313 | 13' | 17'-11" | 19'-6" | 20' |
| BL-1413 | 14' | 18'-11" | 20'-6" | 21' |
| BL-1513 | 15' | 19'-11" | 21'-6" | 22' |
| BL-1613** | 16' | 20'-11" | 22'-6" | 23' |
| BL-1713** | 17' | 21'-11" | 23'-6" | 24' |
| BL-1813** | 18' | 22'-11" | 24'-6" | 25' |
| BL-1913** | 19' | 23'-11" | 25'-6" | 26' |
| BL-2013** | 20' | 24'-11" | 26'-6" | 27' |

**Lifts 16' and over have an 80" wide base
Models up to 40' in height are available

Dimensions shown are nominal. Actual dimensions may vary and are presented with engineering drawings.



ENCLOSED 3-AXIS EBL

BLAST

The Enclosed Blast Lift helps to increase operator safety and reduce operator fatigue. The enclosed cabin design allows the operator to blast via a pneumatically controlled blast hose aiming turret. Designed to withstand the harsh environment of grit, sand, and shot blast booths. Featuring sealed components and lift mast along with heavy duty components, the lifts can replace ladders providing increased safety and productivity.



GENERAL INFO

- Raised platform height: Up to 20'
- Retracted dimension: 6'-6" (minimum)
- Extended dimension: 11'-3.5" (nozzle tip)
- Operator platform capacity: 300 lbs.
- Sealed mast construction
- Pneumatic/hydraulic power unit
- Includes in-line Filter/Regulator/Lubricator
- Operator Cab: 48" wide x 36" deep
- Side entry door
- Large viewing windows
- 1-Axis & 2-Axis models available
- Cabin seat for operator comfort

CONTROLS / CONNECTIONS

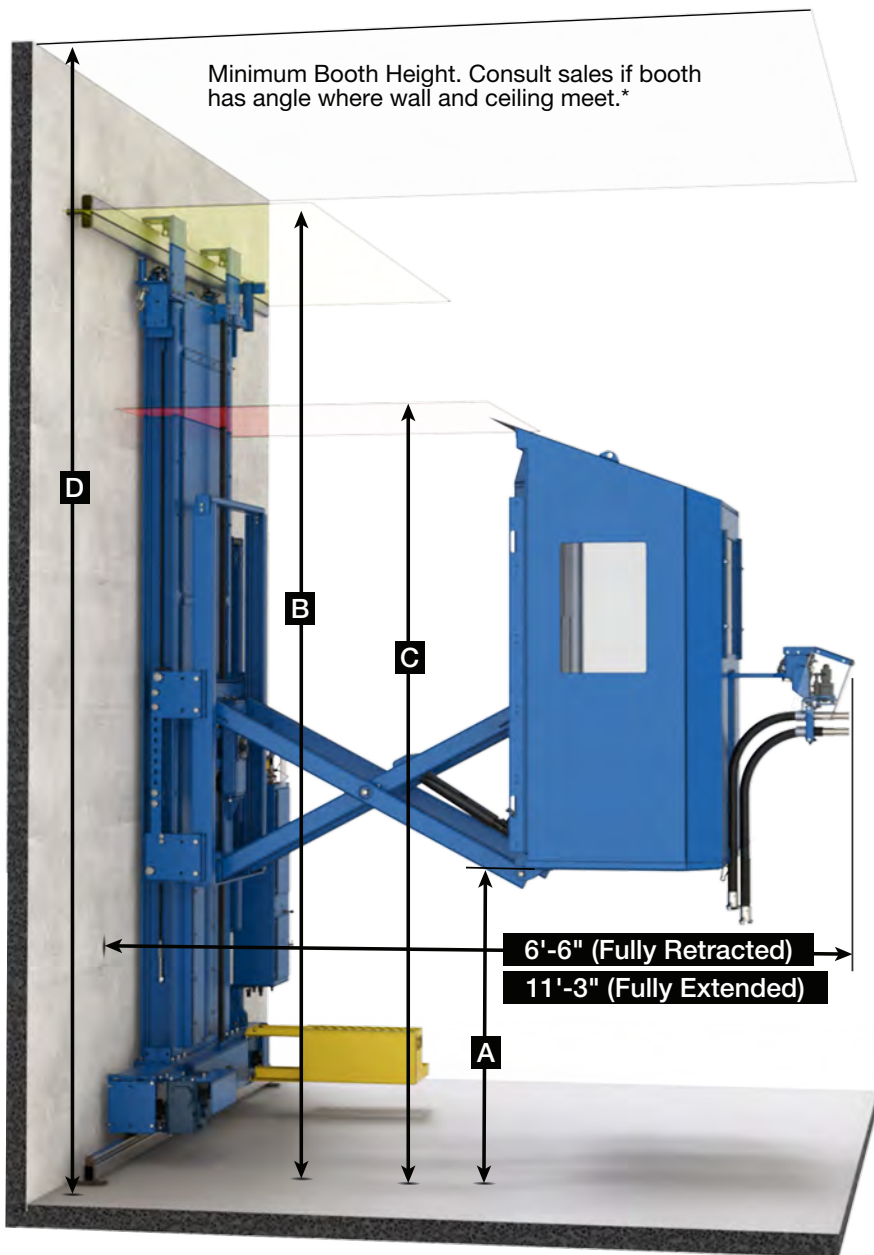
- Operator controls inside cab
- Ergonomic turret-style control console
- Hand controls for Z-Axis & E-stop
- Foot control for X-Axis & Y-Axis
- Base control to raise and lower platform
- Auxiliary uncoiled air connection in platform
- Lift requires a clean, dry air supply (80 scfm @ 100 psi with a 40°F dew point)

TRAVEL SPEEDS

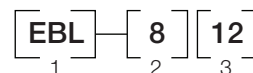
- X-Axis (left/right): Variable up to 40 fpm
- Y-Axis (in/out): 15 fpm
- Z-Axis (up/down): 15 fpm

Due to continuous product improvement, LPI, Inc. reserves the right to make equipment/specification changes without prior notification.

3-AXIS EBL



Model Numbering



- 1. Lift Series
- 2. Raised Platform Height: 8' to 20'
- 3. Fully Extended: 11'-3"

Model EBL (Standard Reach)

| Model | A | B | C | D |
|------------|-----|---------|--------|-----|
| EBL-810 | 8' | 12'-11" | 14'-9" | 15' |
| EBL-910 | 9' | 13'-11" | 15'-9" | 16' |
| EBL-1010 | 10' | 14'-11" | 16'-9" | 17' |
| EBL-1110 | 11' | 15'-11" | 17'-9" | 18' |
| EBL-1210 | 12' | 16'-11" | 18'-9" | 19' |
| EBL-1310 | 13' | 17'-11" | 19'-9" | 20' |
| EBL-1410 | 14' | 18'-11" | 20'-9" | 21' |
| EBL-1510 | 15' | 19'-11" | 21'-9" | 22' |
| EBL-1610** | 16' | 20'-11" | 22'-9" | 23' |
| EBL-1710** | 17' | 21'-11" | 23'-9" | 24' |
| EBL-1810** | 18' | 22'-11" | 24'-9" | 25' |
| EBL-1910** | 19' | 23'-11" | 25'-9" | 26' |
| EBL-2010** | 20' | 24'-11" | 26'-9" | 27' |

**Lifts 16' and over have an 80" wide base

- A: Raised Platform Height
- B: Centerline of Upper Rail
- C: Overall Max. Lift Height
- D: Min. Booth Height*

Dimensions shown are nominal. Actual dimensions may vary and are presented with engineering drawings.



SCISSOR LIFTS & WORK PLATFORMS

Scissor Lifts and Work Platforms are cost effective solutions for positioning workers where the work environment requires flexibility in the process or task. Scissor Lifts and Work Platforms offer vertical travel and horizontal floor travel. Options include:

- Rail-Guided Floor Travel
- Manual Positioning
- Platform Roll-Outs / Extensions
- Hand & Foot Control Options
- Pneumatic / Hydraulic Power Units
- Electric / Hydraulic Power Units



CUSTOM LIFTS

LPI offers fully customized lift solutions that are designed and built specifically for your application. Custom lifts can be designed to accommodate several personnel, unique environments, process equipment and varying applications. LPI engineers can provide custom solutions from small to large scale designs.



Custom Rail-Guided Work Platform with Roll-Out Extensions



Overhead Lift System with Drop-Down Platform



Custom Material Handling / Material Picking Lift

WARRANTY & SERVICES

STANDARD SERVICES & MAINTENANCE

LPI, Inc. prides itself on excellent customer service. Our sales, engineering and customer service staff actively ensure our customers are taken care of from initial contact through the project build, delivery and installation. LPI also offers maintenance, training and service support to ensure proper safe operation after installation and throughout the entire product life cycle.

WARRANTY

LPI is known for its quality, robust designs and we stand behind our products. LPI offers a 12 month warranty on materials and workmanship from the date the order is shipped. For full warranty details, scan the QR code or visit: <https://www.lpi-inc.com/warranty>



INSTALLATION & TRAINING

LPI offers trained technicians to help guide and assist in the installation of lifts. Consult with a member of the sales team to discuss what level of installation or training assistance would be needed for your application.



SERVICE / MAINTENANCE / PARTS

Properly maintained LPI lifts provide many years of reliable service. Delayed or neglected maintenance can reduce the life of components and affect the performance of the lift leading to failures and operational downtime. LPI's Service Technicians offer annual inspections and on site maintenance service plans and training to help ensure your lift equipment is running at peak performance.

LPI has many plans and services available that may best suit your needs.

- Scheduled maintenance plans
- Annual on-site safety inspections
- On-site repair / rebuild services
- Operator training
- Replacement parts



To schedule service, maintenance, installation or training, please email our Customer Service department:

customerservice@lpi-inc.com



Eau Claire, WI USA
(800) 657.6956
www.lpi-inc.com
sales@lpi-inc.com

Challenge us with your application!

Request a quote:

Email us at: quotes@lpi-inc.com

Visit our YouTube channel:

<https://www.youtube.com/user/LPIncLiftSystems>



LPI YouTube channel

LPI® promotes a safe and ergonomic work environment which increases worker productivity. Specifications may be changed subsequent to printing.

No part of this information may be reproduced in whole or part without written permission.

