



BOOST[™]
LPI LIFT SYSTEMS[™]

SELF-PROPELLED PNEUMATIC ELEVATING WORK PLATFORM

Pneumatic lifts are suitable
for use in paint booths
and other hazardous
locations



DEPENDABLE.
DURABLE.
VERSATILE.

LPI[®]
LIFT SYSTEMS

Features & Benefits



Maneuverability at your fingertips!

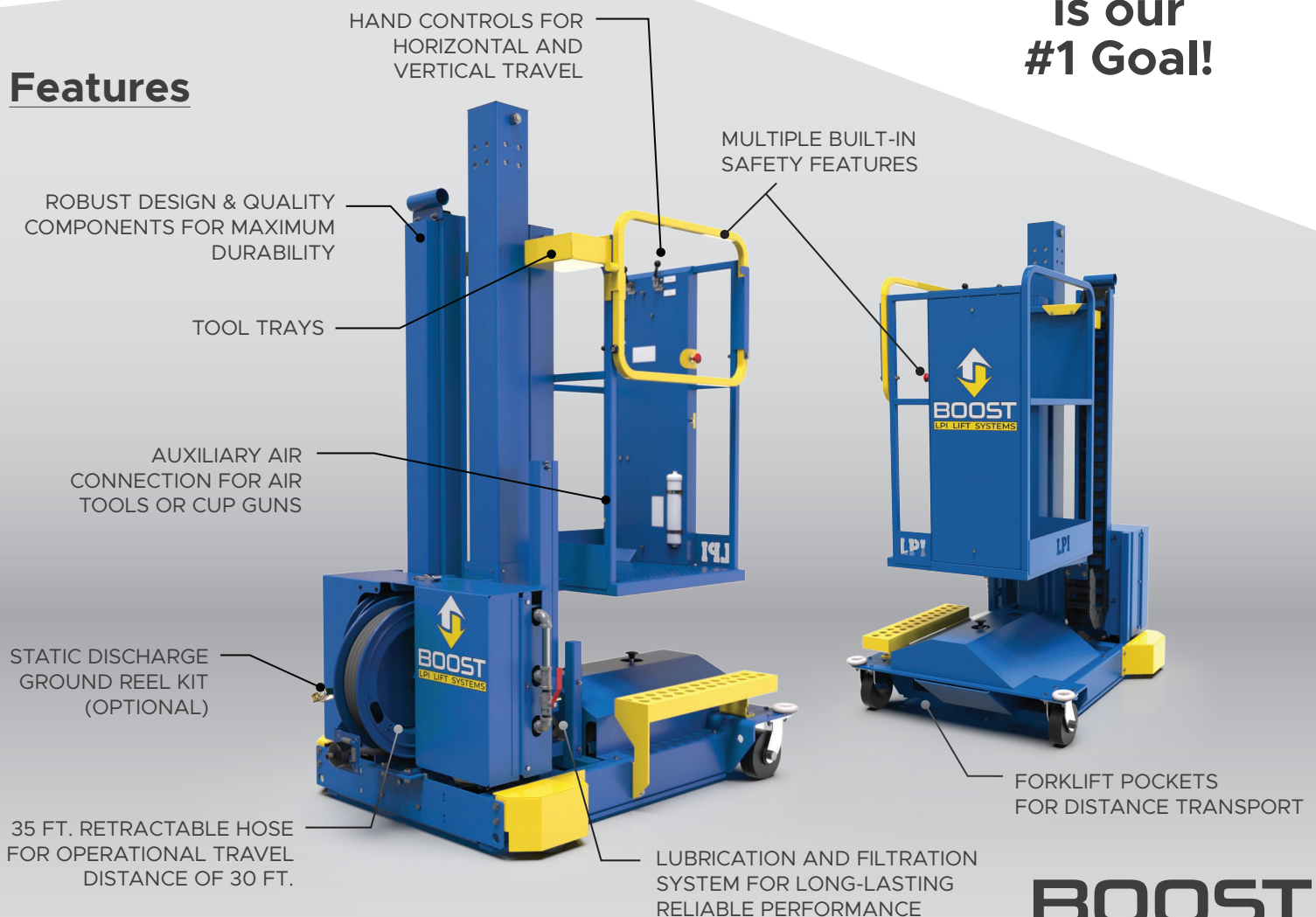
Now more than ever companies need a competitive advantage and a way to increase profit margins and productivity all while catering to their hard working employee. The **BOOST** lift is the perfect solution! The **BOOST** lift provides versatility by allowing the worker to work in an ergonomic position, and maneuverability, to get around the product without leaving the lift. The zero turn radius and individually controlled drive motors simplify driving and repositioning so the worker can be more productive. The **BOOST** lift maintains LPI's standards for high quality, durable lift products and provides all the necessary features to keep your employees safer, allowing them to be focused on the job at hand.

Benefits

- Vertical platform travel from 2 ft. (lowered) to 10 ft. (raised) provides a working height up to 16 ft. which eliminates the need for ladders.
- For use in paint booths or areas where combustible vapors may be present (air supply source required).
- Increased productivity as a result of the operator never having to leave the platform for repositioning.
- Reliable performance and minimal maintenance due to a direct linked lift mechanism. No chains or cables!
- Zero turn radius for easy maneuverability in tight spaces.

Worker Safety
is our
#1 Goal!

Features

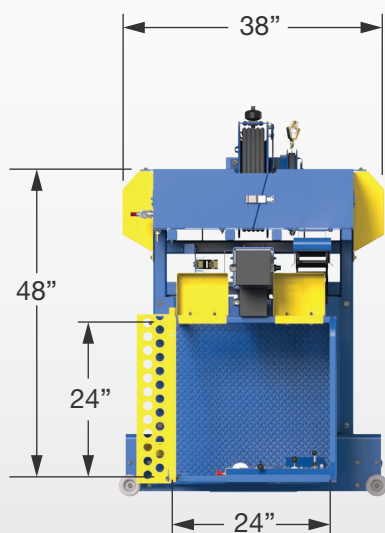
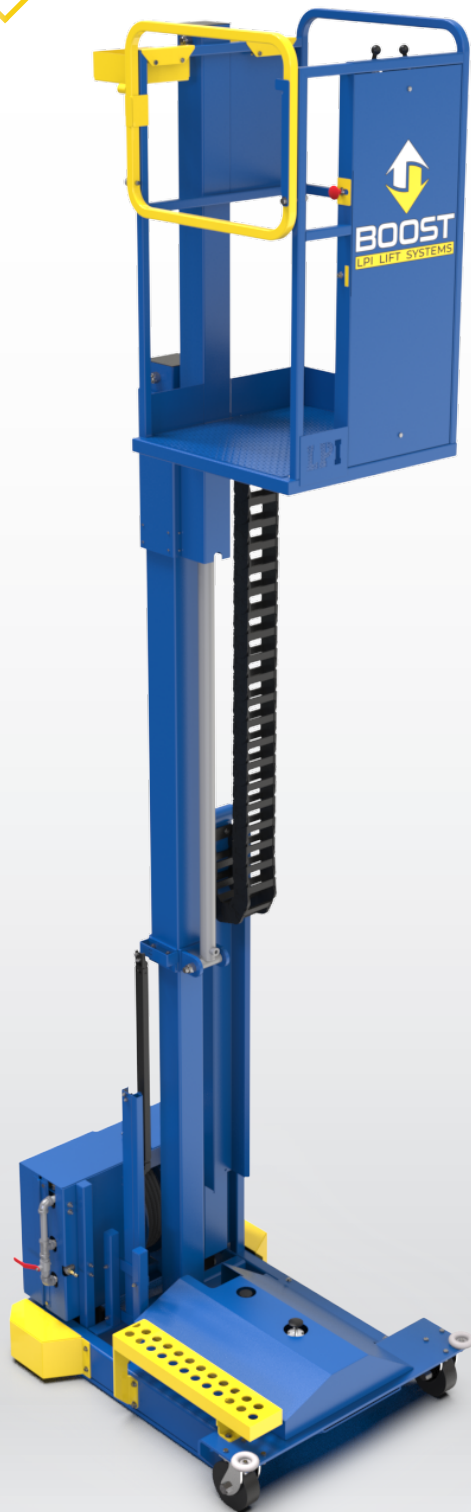




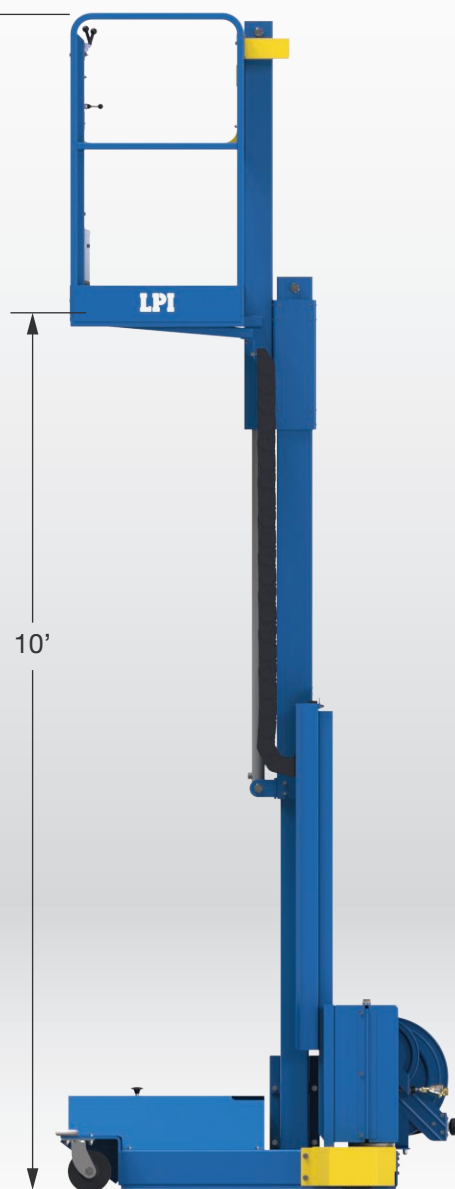
Specifications

General Specifications:

- 30 ft. operational travel distance
- 40 scfm @ 90 psi*
(*Compressed air source required)
- Single Operator, 300 lbs. (max)
- Weight (approx.) 1,000 lbs.
- Platform controls include:
Up/Down - Left/Right
Emergency Stop & Descent
- Base controls include Emergency Descent
- Equipped with Filter/Regulator/Lubricator



13'-7"



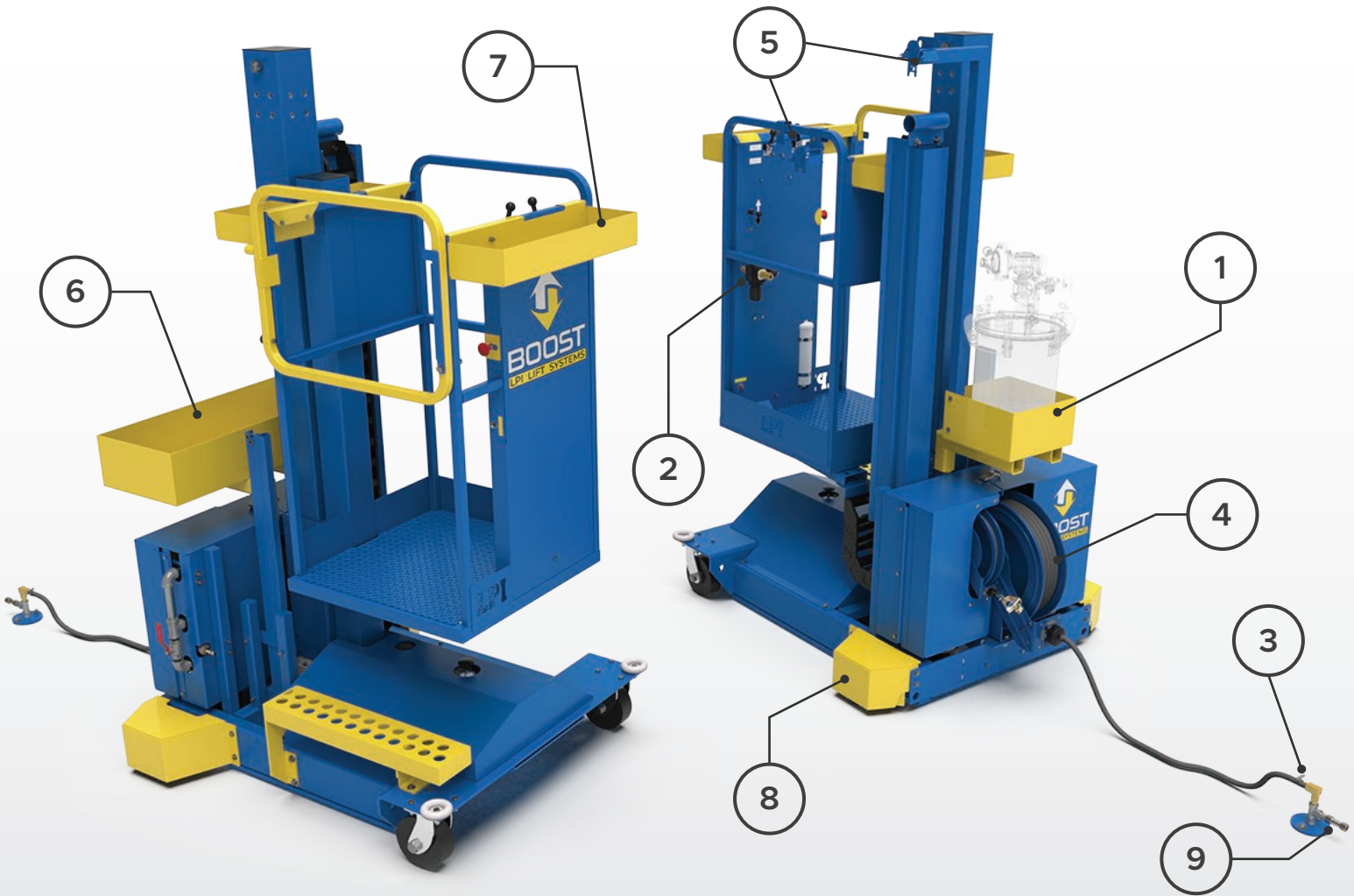
79"



This is a Slab Type Machine intended for operation on a flat, level surface only.

Available Options

Application specific options add value and convenience



ITEM	P/N	Description
1	201-7465	Paint Pot Carrier Kit. Designed for 2.8 gallon paint pot or smaller. (paint pot not included)
2	202-5263	Auxiliary Air Regulator with Gauge Kit
3	204-2272	360° Swivel Air Connection Kit. Allows for 360° of travel from air supply source.
4	204-2280	Static Discharge Reel Kit
5	204-2281	Paint Gun Hook Kit
6	204-2283	Base Mounted Tool Tray Kit
7	204-2284	Front Platform Tool Tray Kit
8	201-2285	Wide Wheel Drive Kit
9	970-0530	Safety Auto-Shutoff Valve

Applications

LPI's BOOST lift with non-electric motors is designed for use in paint booths or other hazardous environments where combustible dusts or vapors may be present.

Applications include:

- Paint Booths
- Paint Prep Areas
- Inspection
- Paint Kitchens
- Sanding/Buffering
- Assembly

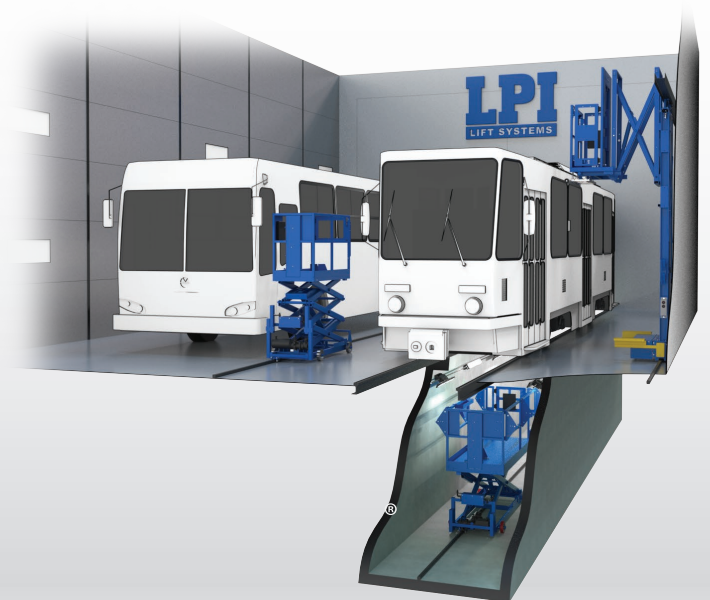


Do away with repositioning of ladders and potential slipping and fall hazards! The BOOST lift is the ideal solution for providing workers security and peace of mind when working at heights.

Learn more about LPI Lift Systems™!

LPI Lift Systems has been designing and manufacturing lifting solutions for over 35 years. We offer a wide range of products that help promote a safe and productive work environment. LPI offers:

- Paint Booth Lifts
- Blast Booth Lifts
- Overhead Lifts
- Material Handling Lifts
- Elevating Work Platforms
- Custom Solutions



LPI

LIFT SYSTEMS

(800) 657-6956 | www.lpi-inc.com

L-1140D / v.02.25.21

Proudly built in Eau Claire, WI USA

Due to continuous product improvement, LPI, Inc. reserves the right to make equipment/specification changes without prior notification.